

ID-003 Emulator

Required items:

PC (OS: Windows 2000/XP/Vista)

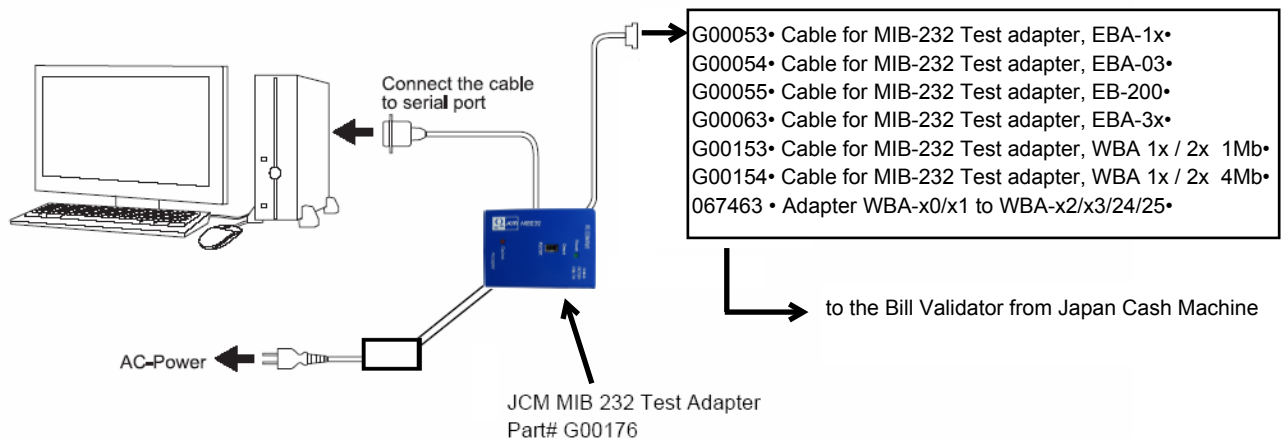
Latest ID-003 Emulator software V x.xx win (available from JCM)

Download Software on your PC

Initial Settings

The following instructions describe how to work with ID-003 Host emulator stored on a personal computer.

How to connect:

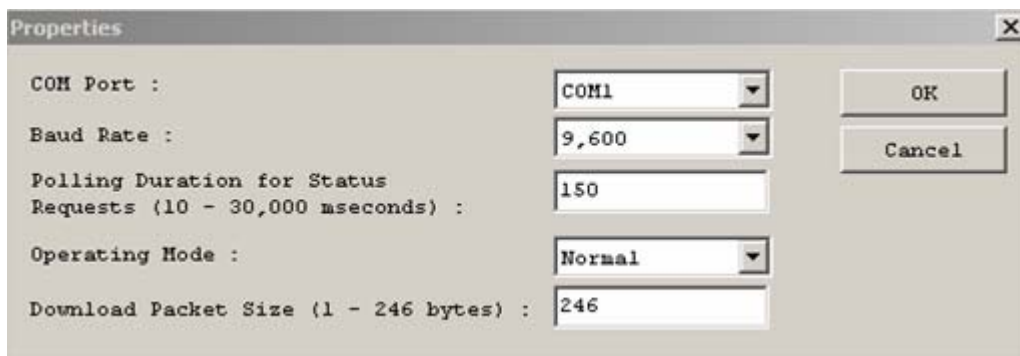


You can use this emulator to simulate the complete communication between the BV and a host machine (only for ID-003 interface).

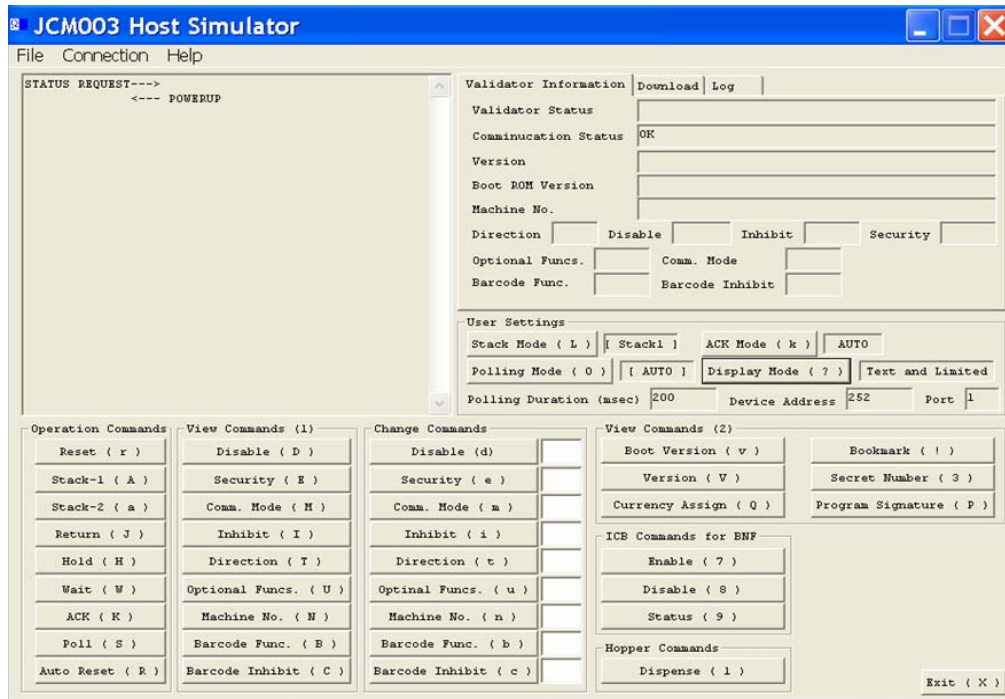
Please take care that latest ID-003 software is downloaded to your PC and the connection is passing our MIB 232 Test adapter. Switch setting to RS232.

1. Connection and default settings

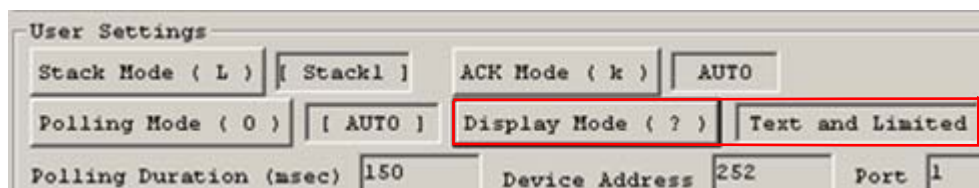
Please take care that you use the correct settings. To change the settings please use the respective drop bar



- Connect as described above
Start the emulator program
Power up the acceptor and the message POWERUP appear on the screen



3. User Setting

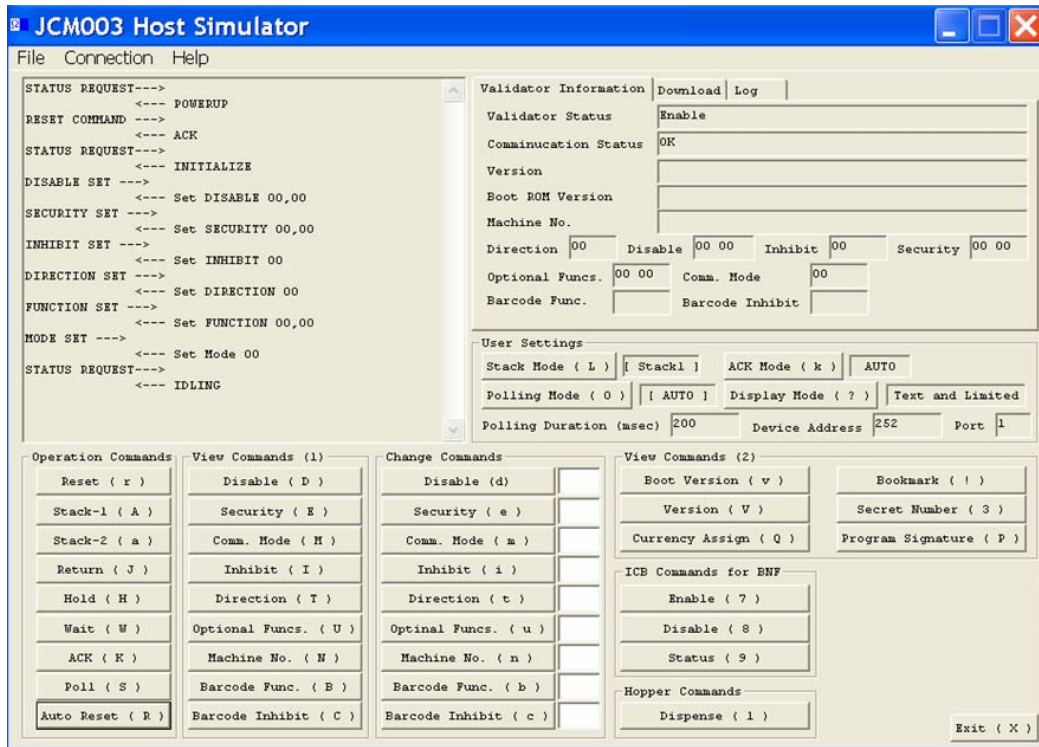


The user settings are preset, expect the Display Mode.
You can choose between "Text / Limited" and "Binary / Full"



Here you can select between TEXT information or BINARY information

4. utilisation



Initialisation run will start and the emulator comes back with Idling. You can simulate host machine behaviour by pushing the command buttons.